

Wishbone  
site furnishings

**WISHBONE SITE FURNISHINGS LTD**

210-27090 GLOUCESTER WAY LANGLEY, BC

**DWG. TITLE:** SINGLE PEDESTAL WHEELCHAIR ACCESSIBLE PICNIC TABLE WITH IN GROUND MOUNT

**REVISION:** 29/11/21 R:00

**MATERIAL:**  
ALUMINUM

**DWG. NO.**  
DWSBPT29112100

**DRAWN BY:**  
GARY PARMAR

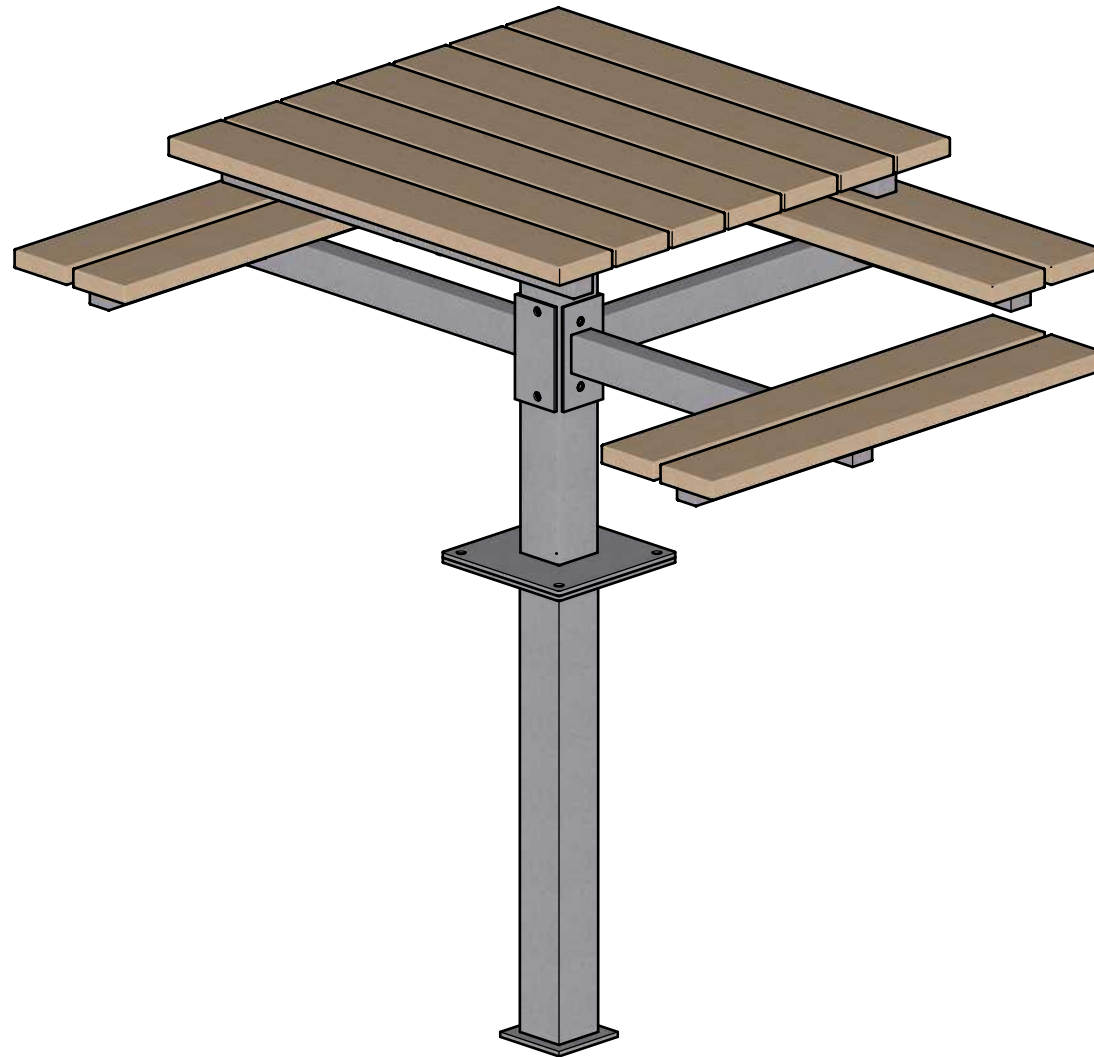
**PATTERN NO.**  
N/A

**MODEL NO.**  
SPPTPWC-40-IG

**SCALE:**  
1:24

**SHEET:**  
1 OF 2

**DATE:**  
29 NOV 21



  
 site furnishings

**WISHBONE SITE FURNISHINGS LTD**  
 210-27090 GLOUCESTER WAY LANGLEY, BC

**DWG. TITLE:** SINGLE PEDESTAL WHEELCHAIR ACCESSIBLE PICNIC TABLE WITH IN GROUND MOUNT  
**REVISION:** 29/11/21 R:00

**MATERIAL:**  
 ALUMINUM

**DWG. NO.**  
 DWSBPT29112100

**DRAWN BY:**  
 GARY PARMAR

**PATTERN NO.**  
 N/A

**MODEL NO.**  
 SPPTPWC-40-IG

**SCALE:**  
 AS SHOWN

**SHEET:**  
 2 OF 2

**DATE:**  
 29 NOV 21